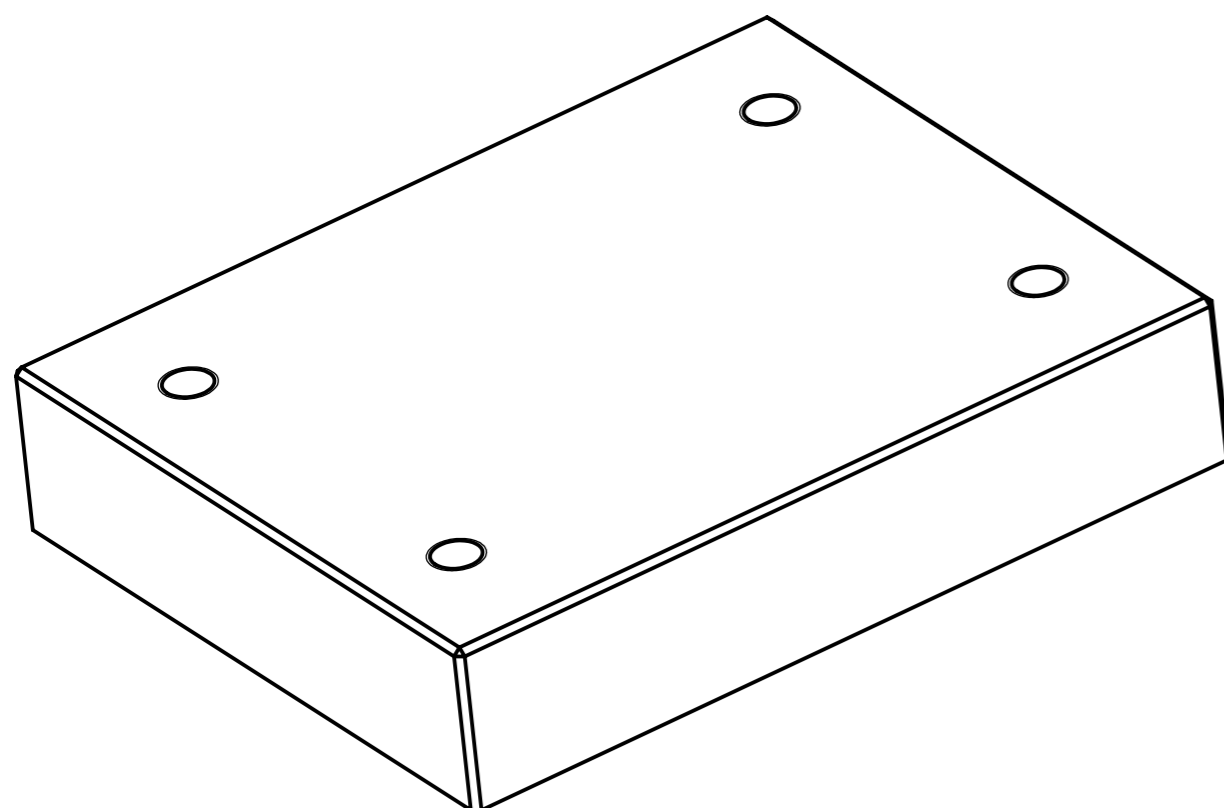
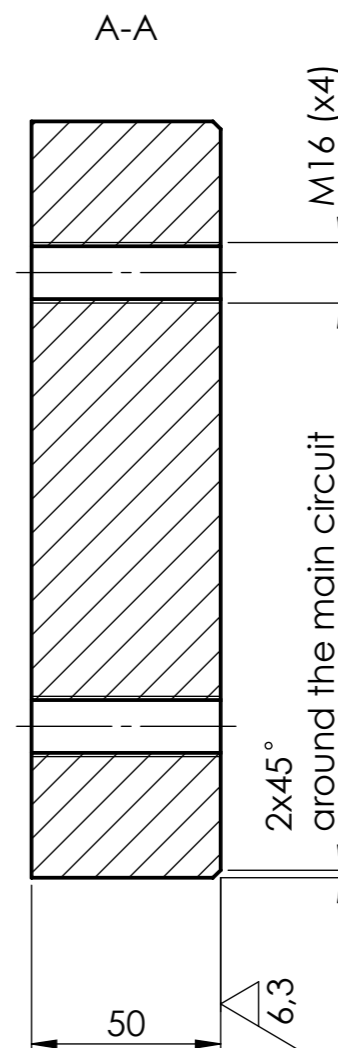
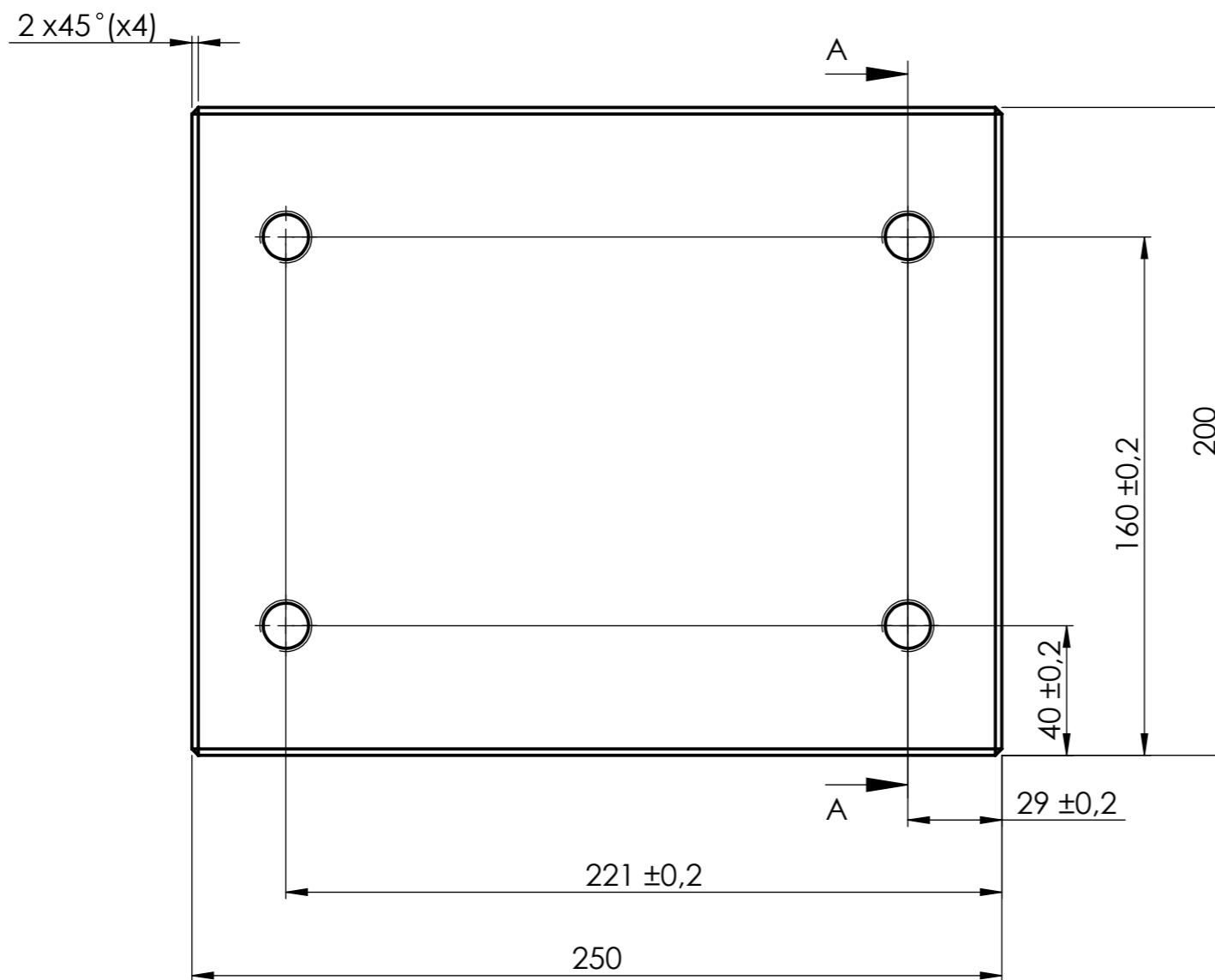


12,5 / ( 6,3 / )



sharp edges dull

Nr części	Part Name	Amount	Material	Weight
1	Base plate	1	S235JR	19,2
Designed				
Drawn				
Checked				
Approved				
Scale	Format	Item	Drawing No:	
1:2	A3	Holder	SUPIKO/PW-00-01	