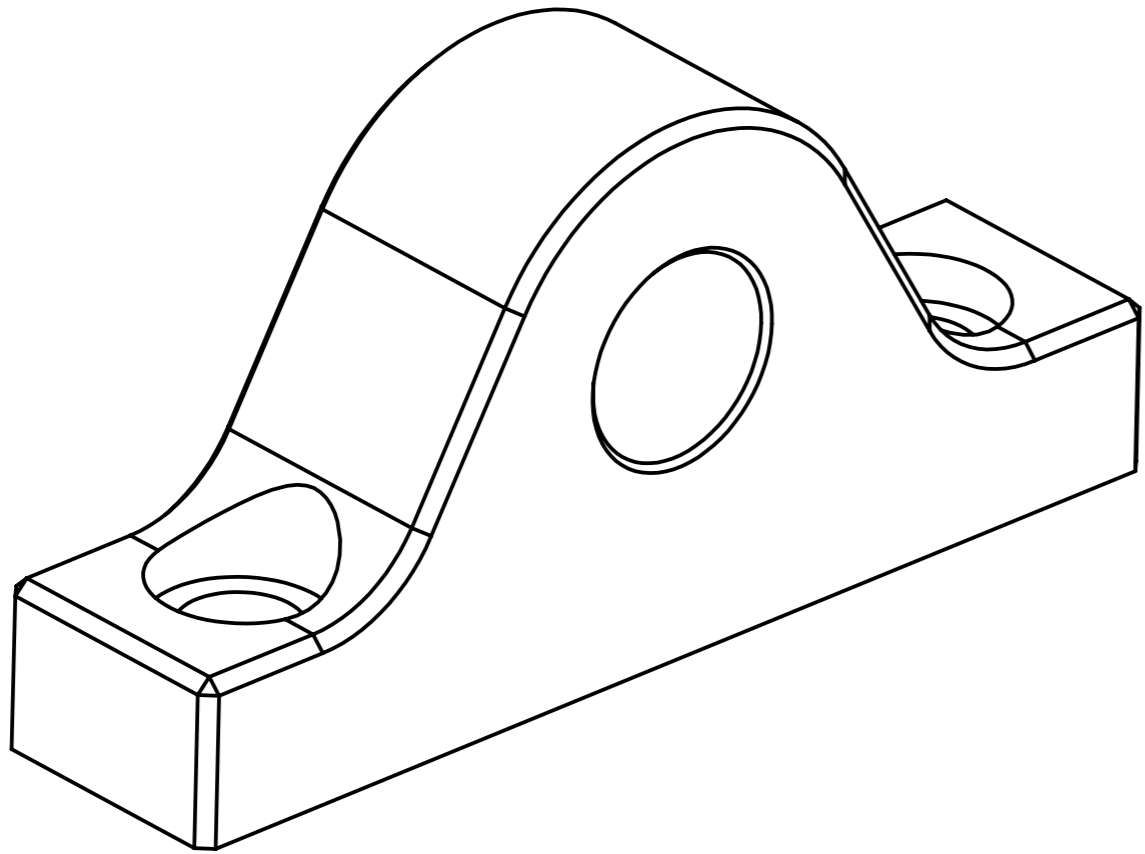
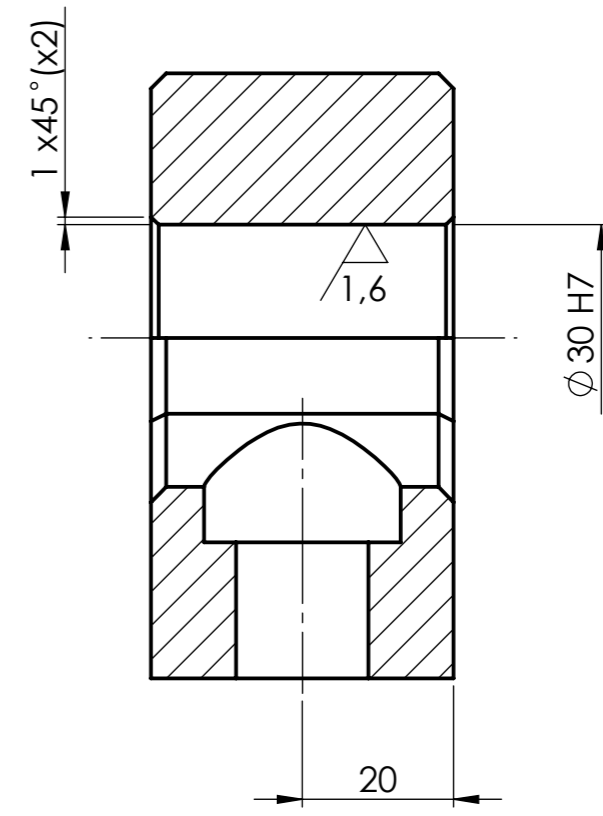
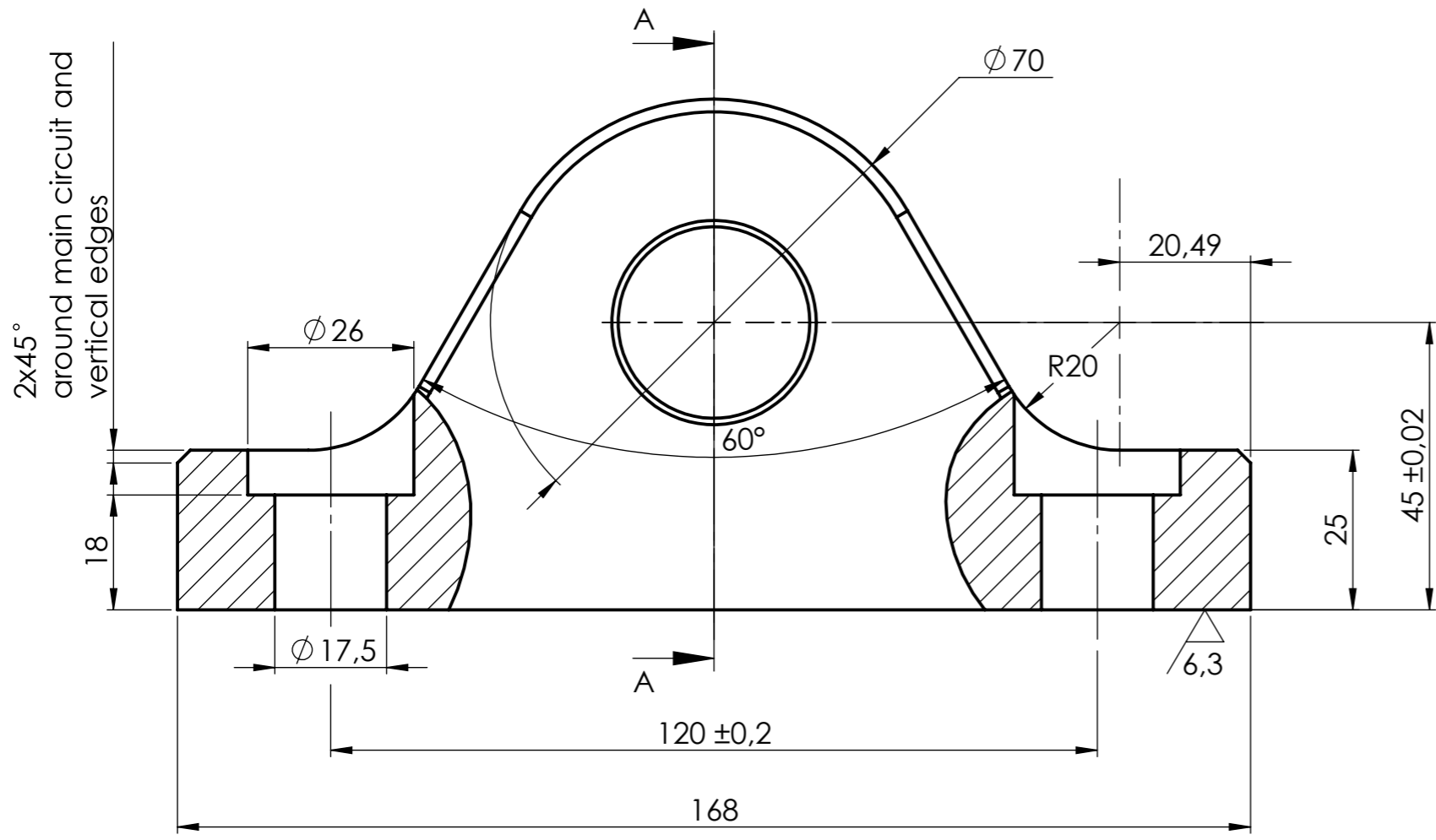


Ø 30H7  $\begin{matrix} +0,021 \\ 0 \end{matrix}$

$\sqrt[12,5]{\phantom{x}}$  ( $\sqrt[6,3]{\phantom{x}}$  /  $\sqrt[1,6]{\phantom{x}}$ )



Sharp edges dull

| Part No. | Part name     | Amount | Material        | Weight |
|----------|---------------|--------|-----------------|--------|
| 2        | Shaft support | 2      | C45             | 2,15   |
| Designed |               |        |                 |        |
| Drawn    |               |        |                 |        |
| Checked  |               |        |                 |        |
| Approved |               |        |                 |        |
| Scale    | Format        | Item   | Drawing No.     |        |
| 1:1      | A3            | Holder | SUPIKO/PW-00-02 |        |