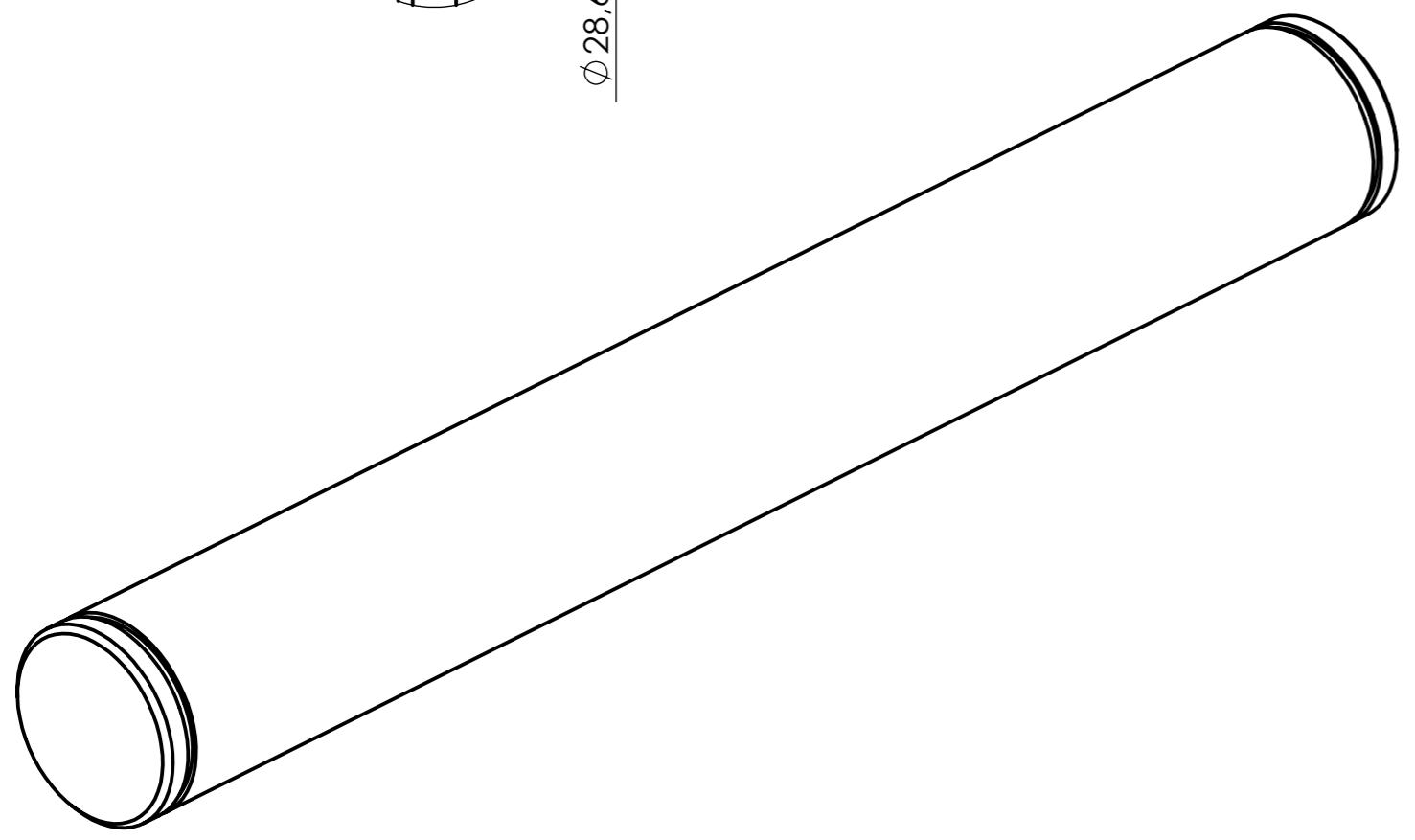
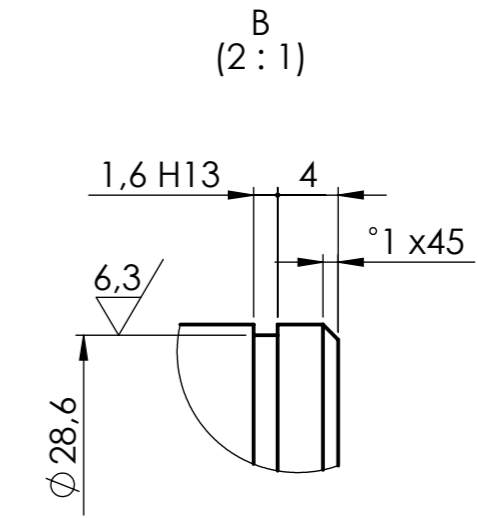
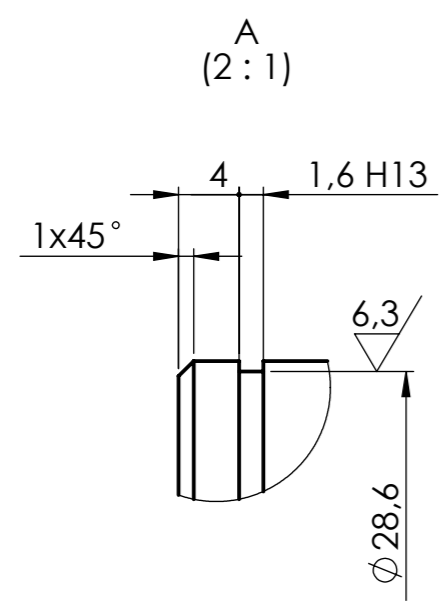
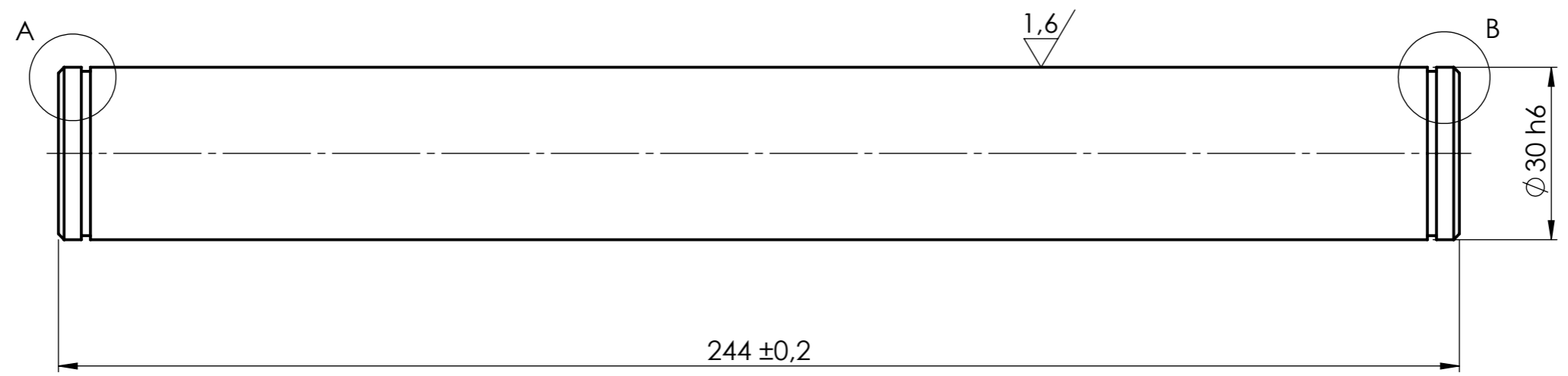


$\phi 30\ h6$	$\begin{matrix} 0 \\ -0,013 \end{matrix}$
$1,6\ H13$	$\begin{matrix} +0,140 \\ 0 \end{matrix}$

$12,5 / \left(\begin{matrix} 6,3 \\ 1,6 \end{matrix} \right)$



Sharp edges dull

Part No. 3	Part Name Shaft	Amount 1	Material C45	Weight 1,34
Designed				
Drawn				
Checked				
Approved				
Scale 1:1	Format A3	Item Holder	Drawing No. SUPIKO/PW-00-03	